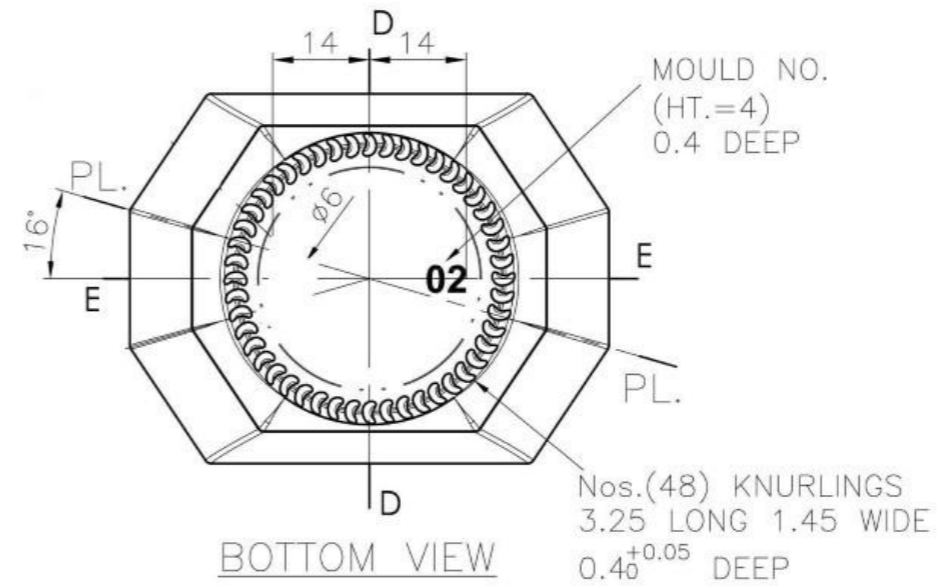
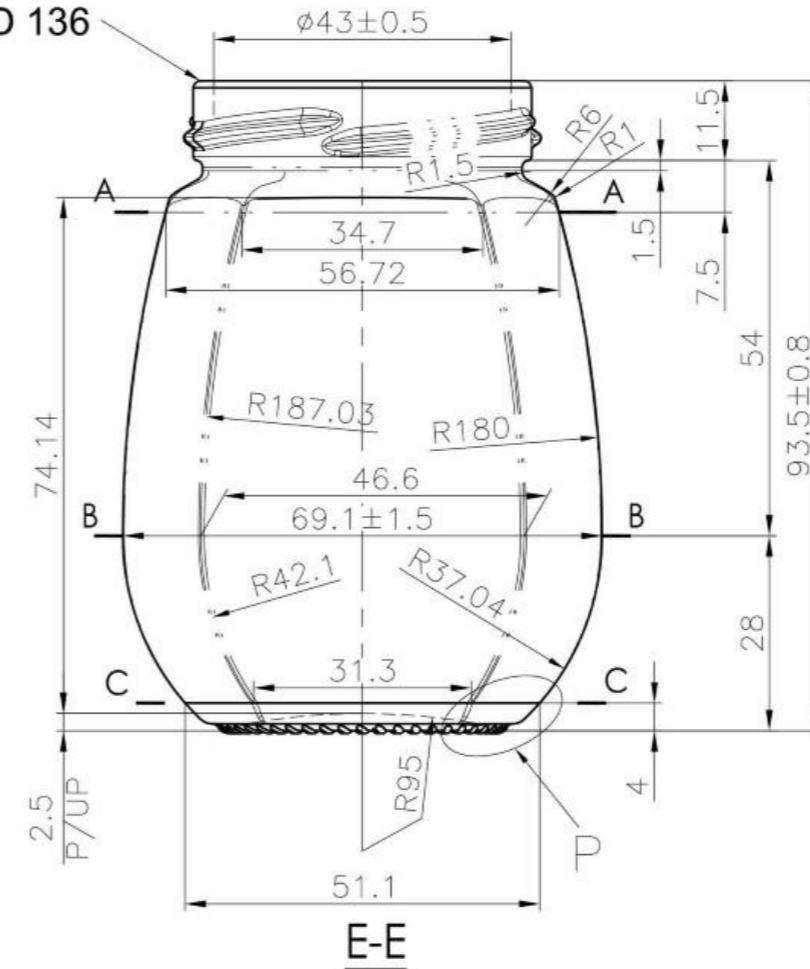
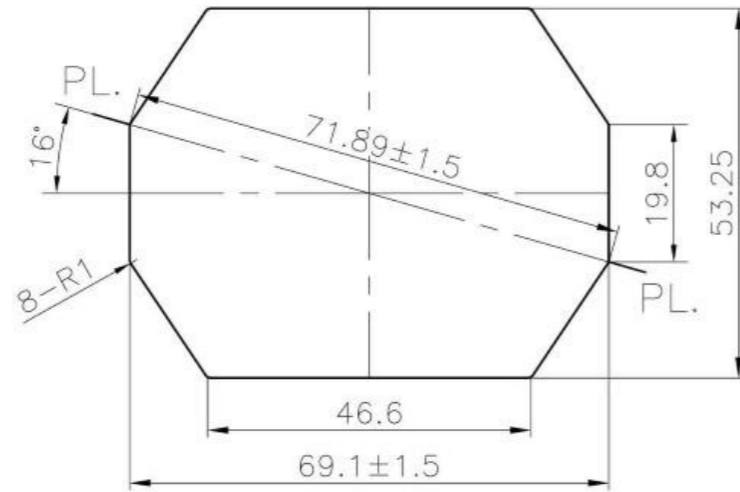
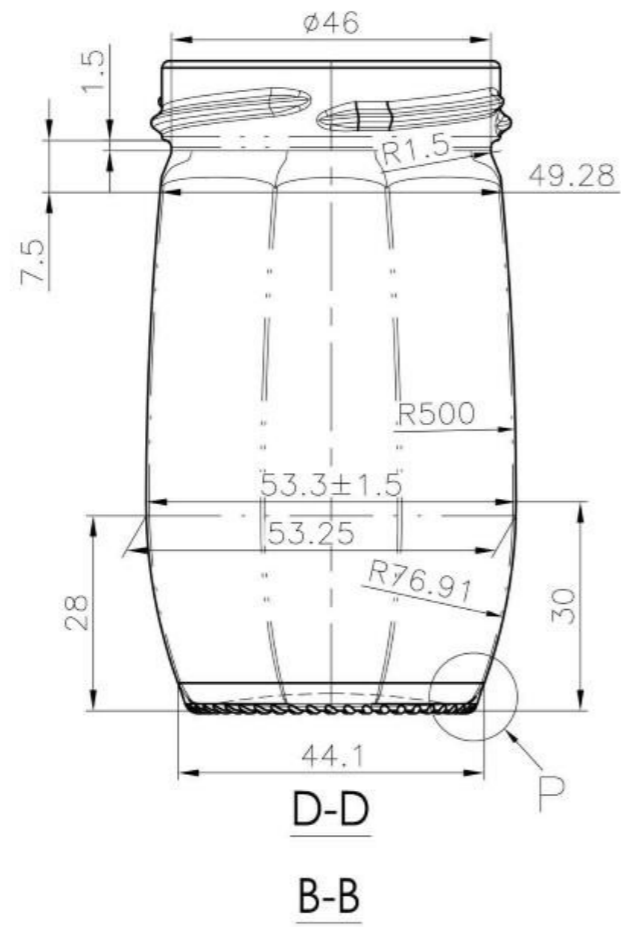


FINISH :
TO 53 - FD 136



| Ind | Changes | Name | Date |
|-----|---------|------|------|
| | | | |
| | | | |
| | | | |
| | | | |
| | | | |

| CUSTOMER | |
|----------------|----------|
| ITEM | |
| WEIGHT | 143±7g |
| FILL PT. CAP. | FILL PT. |
| BRIMFUL CAP. | 191±4ml |
| NOM. HEADSPACE | DATE |
| DES'D BY | CHK'D |
| | DRG NO. |