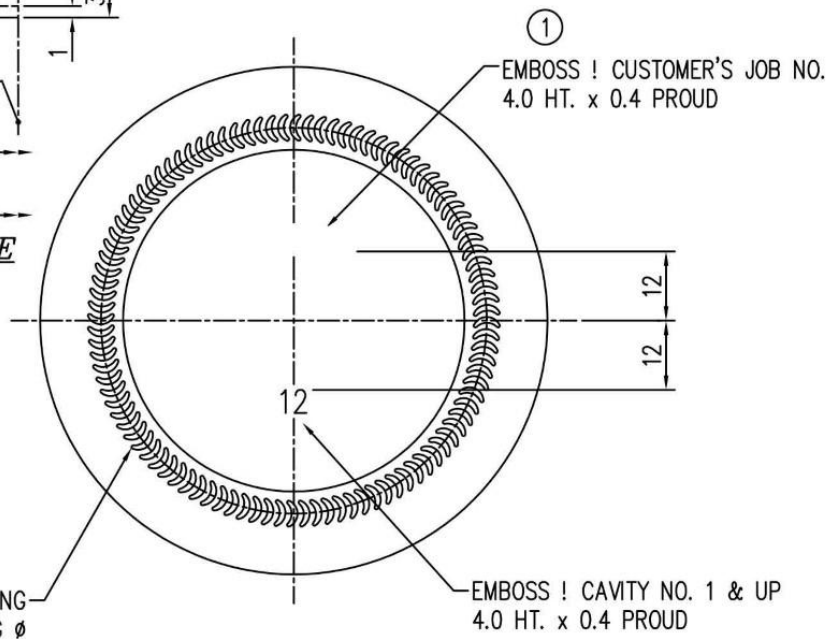


① **BOTTOM STACK PROFILE**
SCALE 2 : 1



① 100 PTS CRESCENT KNURLING
0.4 PROUD @ BEARING ϕ

① EMBOSS ! CUSTOMER'S JOB NO.
4.0 HT. x 0.4 PROUD

EMBOSS ! CAVITY NO. 1 & UP
4.0 HT. x 0.4 PROUD

REVISION		
NO.	DATE	REMARKS
1.		

CUSTOMER	
ITEM	660ml JAR
FINISH TYPE	GPI 82-2040
WEIGHT	280gm ± 5 gm
FILL PT. CAP.	DATE
BRIMFUL CAP.	660ml ± 4 ml
NOM.	CHK'D
DES'D BY	DRG NO.
	660 JAR