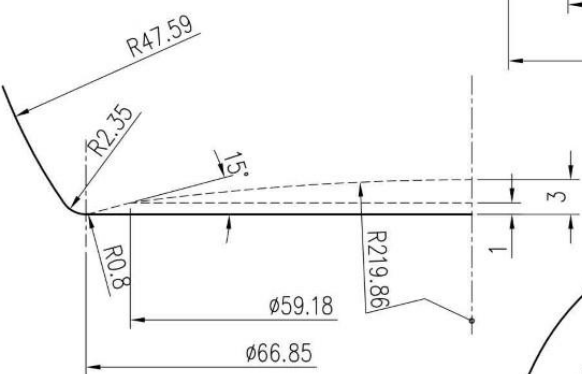
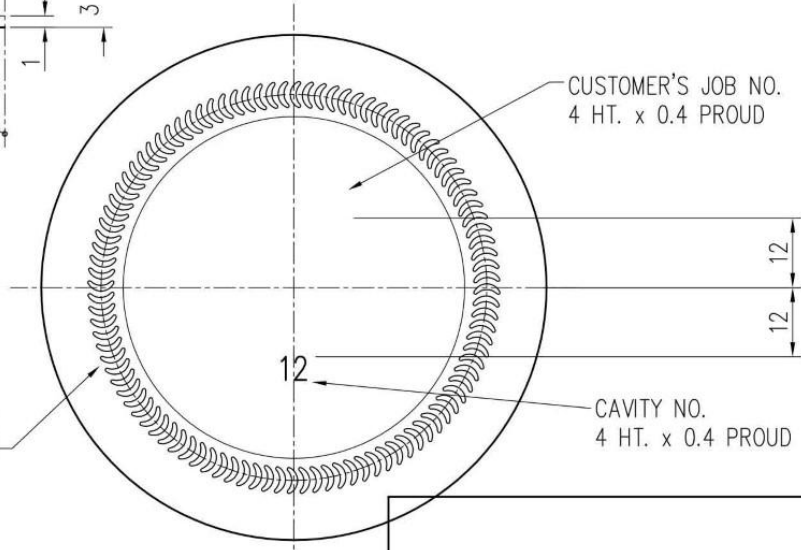


8 ROWS (0M-7M) STIPLING AROUND BTL AS SHOWN



BOTTOM STACK PROFILE  
S(2 :1)

100 PTS CRESCENT ON BEARING DIAMETER



REVISION		
NO.	DATE	REMARKS

CUSTOMER	
ITEM	720ML JAR
FINISH TYPE	GPI 82-2040
WEIGHT	310g ±21.5g
FILL PT. CAP.	DATE
BRIMFUL CAP.	720ml ±8.5ml
NOM. HEADSPACE	%
DES'D BY	JCL06-181/PD-0