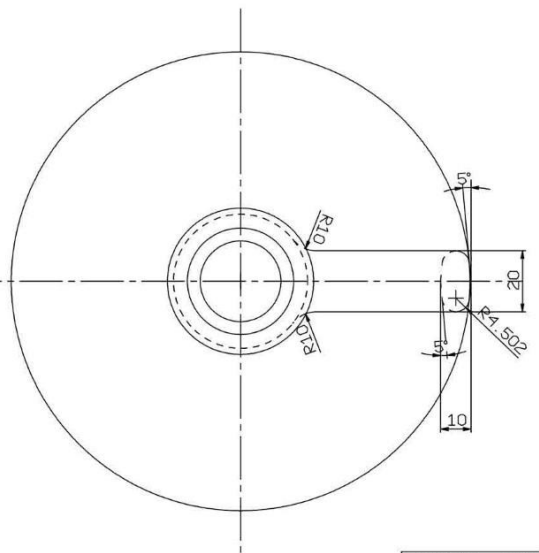
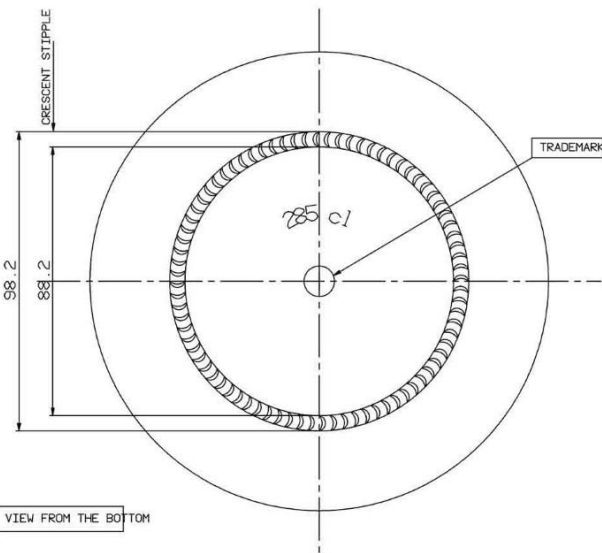


VOLUME IMBOCCATURA =
 VOLUME PREPARATORIO =
 VOLUME TAPPONE =
 VOLUME VETRO =
 O. C. =



Scale 1 : 1 =	UNIT A2 C 4606584
2850 ml. DEMIJOHN	
CAPACITY ml. 2873 ± 28,5 FULL	
GLASS WEIGHT gr. 1325 ± 25 APPROX	Dwg. No.