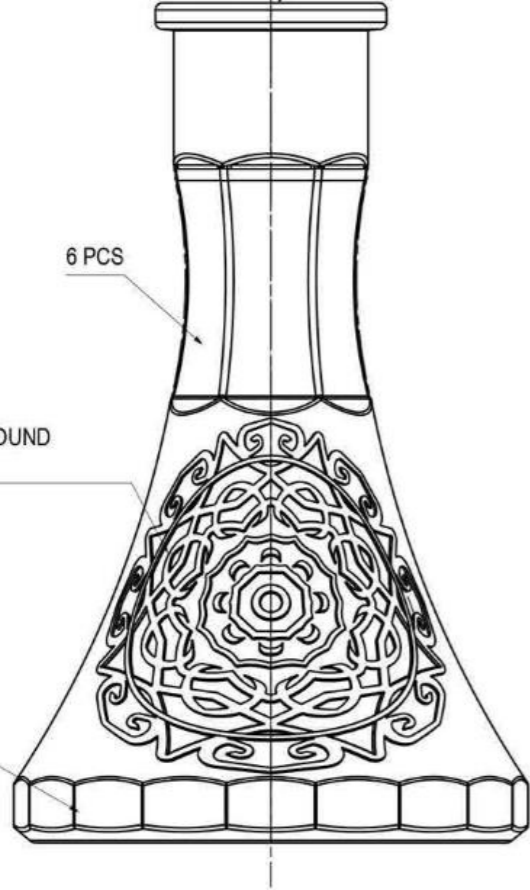


NARGİLE KAFA
HUBBLE BUBBLE FINISH

Front view
Scale: 7:10

6 PCS

2 PIECES AT ROUND



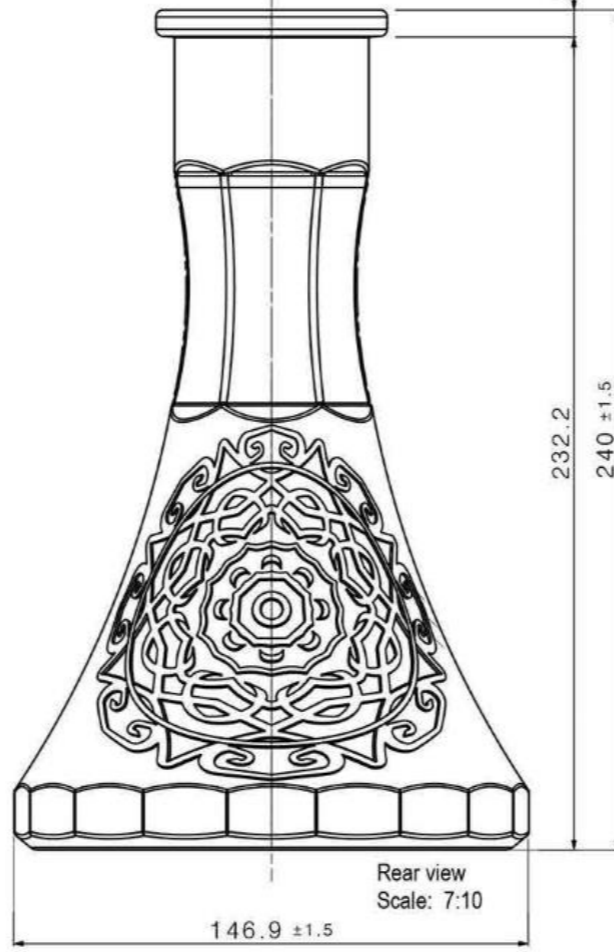
7.8 ±0.4

232.2

240 ±1.5

Rear view
Scale: 7:10

146.9 ±1.5



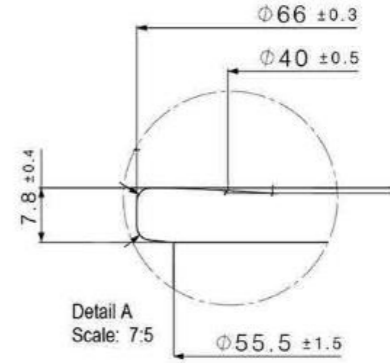
Φ66 ±0.3

Φ40 ±0.5

7.8 ±0.4

Detail A
Scale: 7:5

Φ55.5 ±1.5



Isometric view
Scale: 7:10

TRADEMARK

Bottom view
Scale: 7:10

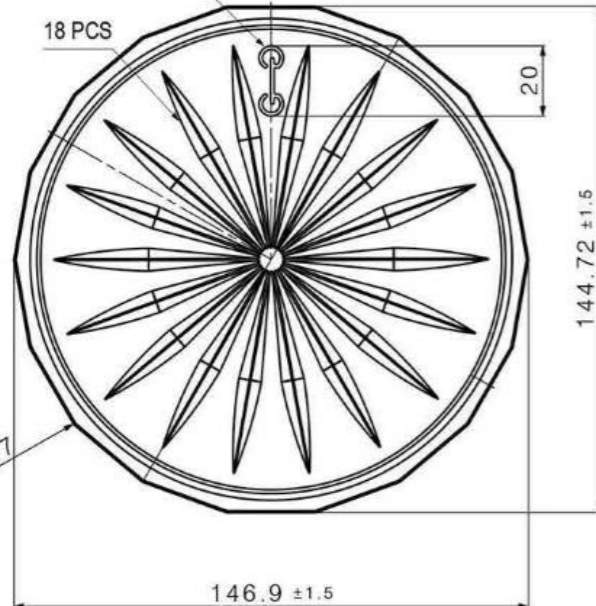
18 PCS

20

144.72 ±1.5

R1.7

146.9 ±1.5



VERİLMEYEN TOLERANSLAR-UNSPECIFIED TOLERANCE ±0.1
EKSANTRİKLIK TOLERANSI-ECCENTRICITY TOLERANCE ±0.05

REV	DEĞİŞİKLİKLER / REVISIONS	TARİH/DATE	YAPAN/MD. BY	KONT./CHKD. BY
	ÇİZ/DRAWN BY		DOLUM HACMI cc FILLING CAP. cc	
	KONT./CHKD BY		SİLME HACMI cc BRIMFULL CAP. cc	885 ±15
	TARİH/DATE		AĞIRLIK gr WEIGHT gr	975 ±15
ÖLÇEK: SCALE:	MÜŞTERİ / CUSTOMER - ULKE / COUNTRY GOLDEN GLASS / LEBANON - LÜBNAN			KOD NO/CODE NO
1/1	ÜRÜN / PRODUCT HUBBLE BUBBLE PYRAMID 24CM DESIGN 2			C.K. / W.T. TEORİK